

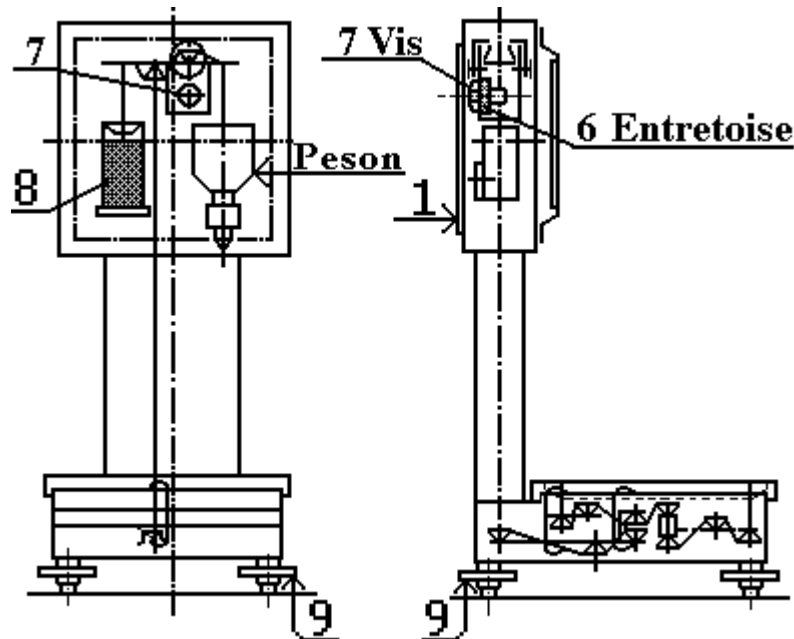


# SOCIETE ATTALLAH FRERES

## Construction d'instruments de Pesage

For the users of our scales and weighing machines who would not succeed to follow our instructions regarding the unblocking of running of their instruments, we inform them that we are always available to instruct and advise them by phone. **Do not hesitate to contact us.**

### Instructions for the setting up of the automatic weighing machine Type 219 R



#### 1. Indicator

- ❖ Remove the locking plate (1) of the automatic head.
- ❖ Loosen the screw (7) immobilizing the indicator for transport.

#### Attention:

- ❖ Take off completely the screw (7) and its brace (6).
- ❖ This screw (7) and its brace (6) are to be kept safely for an eventual shifting (change of place) of the weighing machine.

#### 2. Brake

- ❖ Fill up of fuel the cylinder of brake (8) by manoeuvring 3 or 4 times the indicator in view that the liquid fills it correctly (the fuel appears in the bottom of the funnel).

#### 3. Fitting and putting at « 0 »

- ❖ The weighing machine should be placed on a firm resistant ground but the latter not being perfectly horizontal, our instruments are provided with four fitting screws (9) which serve to put the pointer at zero « 0 ».

#### Maintenance

- ❖ Check often the fitting and the putting at zero and sometimes the level of liquid of brake.
- ❖ Never put grease on any part.